

IZERWAREN



Chapter Nine Fire Fighting Equipment



Folding Cleats & Bollards



#92.911 Bollard 18 inch.

23 Edition

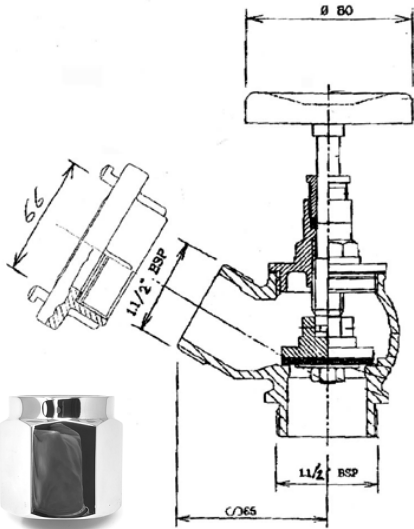
Non Corrosive Fine Building and Ships Hardware
IZERWAREN.COM



Valves for Fire Fighting



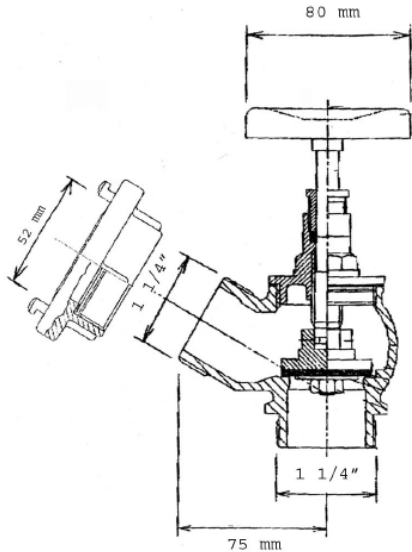
#91.778 Valve + 1 1/2" with N=66 Storz Coupling and Dust cap
Steel powder coated turning wheel
Thread: 1 1/2" BSP. Valve chrome over brass



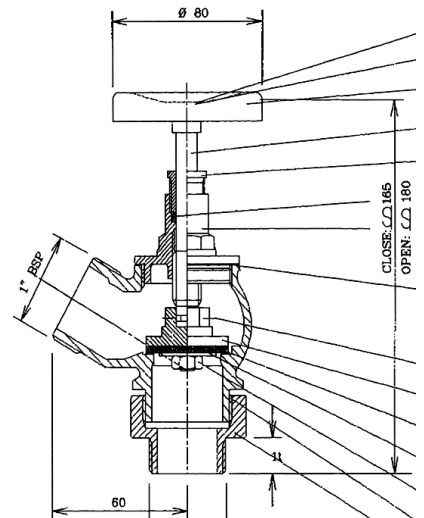
91.CSL female/female adapter 1 1/2" BSP to NPS



#91.778 Valve 1/4" showing with Storz coupling and dust cap N=52
Steel powder coated turning wheel
Thread: 1 1/4" BSP. Valve chrome plated brass



#91.778 Valve 1 inch showing with Stainless Steel Camlock Coupling & cap
Steel powder coated turning wheel
Thread: 1" BSP. Valve chrome plated brass

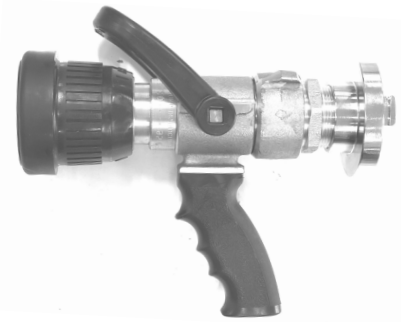


Adapters, Couplings

<p>#92.380 Storz coupling male N=52 #92.381 Storz coupling male N=66 Please specify thread and base material (Brass or Aluminum)</p>	<p>#92.380/1 male thread</p>
<p>#92.382 Storz coupling female N=52 #92.383 Storz coupling female N=66 Please specify thread and base material (Brass or Aluminum)</p>	<p>#92.382/3 female thread</p>
<p># 91.CSL female/female adapter from 1 1/2" BSP to NPS 1 1/2" Chrome plated brass</p>	<p>#91.CSL</p>
<p>#91.052 Dustcover Storz N-52 (Brass or Aluminum) #91.066 Dustcover Storz N-66 (Brass or Aluminum) #91.1431 Storz coupling w. hose barb N-52 to 1/2" hose #91.1436 Storz coupling w. hose barb N-66 to 1/2" hose</p>	



Coast Guard Approved Firefighting Nozzles – Water and AFFF only
Coast Guard Approved AFFF/water Fog Nozzle with horseshoe handle and pistol grip



91.150 Nozzle with horseshoe handle
Dimensions:
Long: 8 3/4" X High 10 3/4"
Weight: 9 lbs
Operating pressure: up to 100 PSI.
Thread: US NPS female 1.75" -9
Combination Fog and Straight Stream
Constant gallonage for either pattern
Chrome Plated Brass

#91.151 Nozzle with Pistol Grip
Dimensions:
Long: 8 3/4" X High 10 3/4"
Weight 14.5 lbs.
Operating pressure: up to 100 PSI.
Thread: US NPS female 1.75" -9
Combination Fog and Straight Stream
Constant gallonage for either pattern
Chrome Plated Brass

#91.151 Nozzle with Piston Grip
#91.380 Storz N=52 coupling
#92.381 Storz N=66 coupling
Dimensions: 8 3/4" X High 10 3/4"
Weight 14.5 lbs.
Storz Coupling weight:
(2 lbs. brass chrome; 0.5 lbs. aluminum)
Operating pressure: up to 100 PSI.
Thread: US NPS female 1.75" -9
To: US NPT 1 1/2" storz coupling

- AFFF - Aqueous Film Forming Foam / Water Fog Nozzle
- Corrosion Resisted Brass Construction - Optional chrome plated:
 - Zytel (nylon) horse handle
 - Flush without shutting down
- Constant Gallonage in all fog and straight stream pattern
 - Rubber like bumper and handle for added protection
 - Double row of molded teeth for excellent fog pattern
 - Combination fog and straight stream
 - Operating pressure up to 100 PSI /
- Option: 1 1/2 Storz fire hose coupling and 1 1/2 hose 18 meter / 59 feet

Size	Thread	Description	Fog Flow @100 PSI	Orifice	Length	Weight	Approval #
1 1/2"	NST(NH)	nozzle	95 GPM	5/8"	10 1/4"	9 lbs.	162.027/13/0
1 1/2"	NST(NH)	nozzle w/pistol grip	95 GPM	15/16"	11 1/2"	14.5 lbs.	162.027/11/0

Use Nozzles with these hoses and valves and container for 59 feet / 18 meter



#91.707 hose 18 m 1 1/2 inch diameter
with Aluminum Storz couplings N=66



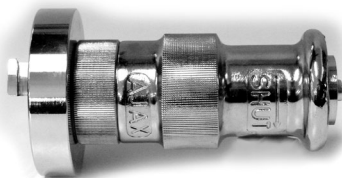
#91.778 Valve 1 1/2"
with Storz couplings and cap N



#91.727 Red Container for 18 meter 1 1/2" hose
Aluminum fire hose container
Details page 9-1-3

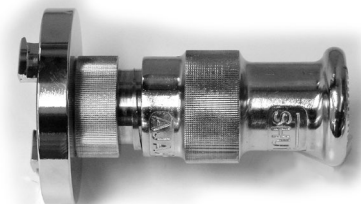
Ajax Nozzle #91.717

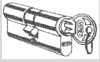
with Storz coupling N-52
Used with 1 1/4 inch ID
firefighting systems
Chrome Plated Brass



Ajax Nozzle #91.718

with Storz coupling N66
Used with 1 1/2 inch ID
firefighting systems
Chrome Plated Brass





Light Weight Fire Fighting Nozzle

91.521 Lightweight Nozzle.
Aluminum with Polyamide grip.
Couplings sold separate
Nozzle opening: 12 mm diameter.
Flow diameter: 30 mm



#92.521 Nozzle with Ball valve .
Showing with Storz Coupling N=66
Lever operated Blast/Closed/Misting.
Operating pressure: up to 16 bar
Thread: Male 2 1/4 US NPS -11
Size: 380 mm long x 140 mm 15 x 5 1/2 inch.
Weight 2.5 lbs. with alu Storz coupling



#92.521 Nozzle with Ball valve
Showing with Storz Coupling N=66
Lever operated Blast/Closed/Misting.
Operating pressure: up to 16 bar
Size: 380 mm long x 140 mm 15 x 5 1/2 inch.
Weight 2.86 lbs. with alu. Storz coupling
#91.380 Storz N=52 coupling
#92.381 Storz N=66 coupling
(Weighs 2 lbs. brass; 0.5 lbs. aluminum)



#91.521 Nozzle w. reduction bushing
Showing with adapter to ISO -4 thread
Lever operated Blast/Closed/Misting.
Operating pressure: up to 16 bar
Size: 380 mm long x 140 mm 15 x 5 1/2 inch.
Weight 2.5 lbs. with aluminum adapter

Adapters, Couplings



92.787 female/female adapter
ISO 2 1/4" -4 to US 2 1/4" NPS-11
Reduction bushing aluminum



#92.381 Storz coupling N=66
male thread (specify)
Storz coupling aluminum



#92.382 N-66
2 1/4" Female thread (specify)
Storz coupling aluminum

Fire Hoses, Containers



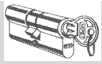
#91.707 Fire Hose with Storz couplings
Standard length: 18 meters or 59 feet
Will fit in container #91.727
Woven NITRIL PVC pinned hose
Work Pressure: 17 bar (break force 50 bar)
Fire Code Rated: NEN-EN14540
#91.715 fire hose non rated



#91.728 Fire Hose container (Made from 1/8 inch Fiberglass for max. 18 meter fire hose; Equipped with stainless steel hinges and lockable stainless steel hasp.
Outside dimension: 457 x 558 x 187 mm (18" x 22" x 7 3/8").



#91.727 Fire Hose container
Made from fire red coated aluminum
#91.707 set 18 meter fire hose will fit.
Outside dimension: 350 x 330 x 80 mm (13 3/4" x 13" x 3 1/8").



Fire Hoses, Containers



#91.707 Fire Hose with Storz couplings N-66 or N-52

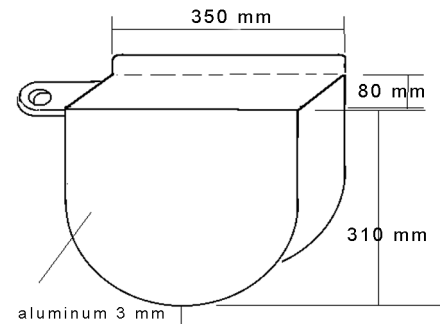
Standard length: 18 meters or 59 feet
 Will fit in container #91.727
 Woven NITRIL PVC pinned hose
 Work Pressure: 17 bar (break force 50 bar)
 Fire Code Rated: NEN-EN14540
 Only in Red and Blue available.

#91.715 fire hose non rated.
 In white as in picture.



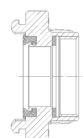
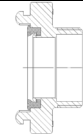
#91.728 Fire Hose container (Made from 1/8 inch Fiberglass for max. 18 meter fire hose; Equipped with stainless steel hinges and lockable stainless steel hasp. Outside dimension: 457 x 558 x 187 mm (18" x 22" x 7" 3/8").

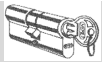
Other sizes are available:
 600 x 500 x 180 mm (740 x 760 x 180 mm (



#91.727 Fire Hose container
 Made from fire red coated aluminum
 #91.707 hose set 18 meter will fit.
 Outside dimension:
 350 x 330 x 80 mm (13 3/4" x 13" x 3 1/8").

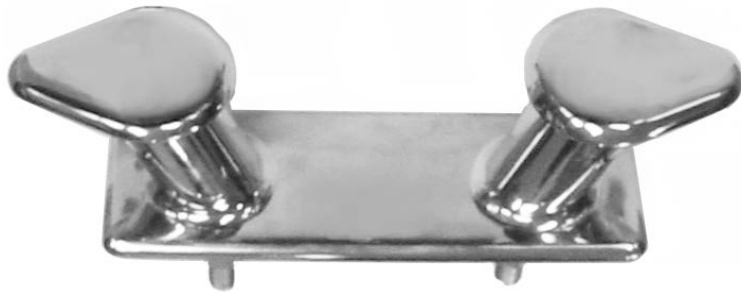
Adapters, Couplings

<p>#92.380 Storz coupling male N=52 #92.381 Storz coupling male N=66 Please specify thread and base material (Brass or Aluminum)</p>	  <p>#92.380/1 male thread</p>
<p>#92.382 Storz coupling female N=52 #92.383 Storz coupling female N=66 Please specify thread and base material (Brass or Aluminum)</p>	  <p>#92.382/3 female thread</p>
<p># 91.CSL female/female adapter from 1 1/2" BSP to NPS 1 1/2" Chrome plated brass</p>	 <p>#91.CSL</p>
<p>#91.052 Dustcover Storz N-52 (Brass or Aluminum) #91.066 Dustcover Storz N-66 (Brass or Aluminum) #91.1431 Storz coupling w. hose barb N-52 to 1 1/2" hose #91.1436 Storz coupling w. hose barb N-66 to 1 1/2" hose</p>	



Flange Mounted Valves with Storz Couplings

<p>#91.54091 Size 1 inch: A = 50 C = 115 D = 160/180</p> <p>#91.54092 Size 1 1/2 inch: A = 70 C = 150 D = 175/195</p> <p>#91.54093 Size 2 inch: A = 85 C = 165 D = 195/210 E = 66 Storz Coupling</p> <p>#91.54094 Size 2 1/2 inch: A = 85 C = 165 D = 240/265 E = 81 Storz coupling</p> <p>All Models: Black steel powdercoated wheel</p>	<p>90 degree model with DIN flange</p>	<p style="text-align: right;">*</p> <p>*Actual part has black steel powdercoated wheel Picture may not show actual part</p>
<p>#91.53171 Size 1 inch: A = 70 C = 115 D = 155/170</p> <p>#91.53172 Size 1 1/4 inch: A = 75 C = 140 D = 160/175</p> <p>#91.53173 Size 1 1/2 inch: A = 88 C = 150 D = 175/195 E = 66 Storz Coupling</p> <p>#91.53174 Size 2 inch: A = 100 C = 165 D = 185/205 E = 66 Storz coupling</p> <p>#91.53175 Size 2 1/2 inch: A = 120 C = 185 D = 225/260</p> <p>All Models: Black steel powdercoated wheel</p>	<p>60 degree model with DIN flange</p>	<p style="text-align: right;">*</p> <p>*Actual part has black steel powdercoated wheel Picture may not show actual part I</p>
<p>#91.54881 Size 1 inch: A = 106 C = 115 D = 125/150</p> <p>#91.54882 Size 1 1/4 inch: A = 115 C = 140 D = 130/150</p> <p>#91.54883 Size 1 1/2 inch: A = 125 C = 150 D = 130/150 E = 66 Storz Coupling</p> <p>#91.54884 Size 2 inch: A = 155 C = 165 D = 160/180 E = 66 Storz coupling</p> <p>#91.54885 Size 2 1/2 inch: A = 180 C = 185 D = 250/290</p> <p>All Models: Black steel powdercoated wheel</p>	<p>Straight model with DIN flange</p>	<p style="text-align: right;">*</p> <p>*Actual part has black steel powdercoated wheel Picture may not show actual part</p>
<p>#92.380 Storz coupling male N=52 #92.381 Storz coupling male N=66 Please specify thread and base material (Brass or Aluminum)</p>	<p style="text-align: right;">#92.380/1 male thread</p>	
<p>#92.382 Storz coupling female N=52 #92.383 Storz coupling female N=66 Please specify thread and base material (Brass or Aluminum)</p>	<p style="text-align: right;">#92.382/3 female thread</p>	
<p>#91.052 Dustcover Storz N-52 (Brass or Aluminum) #91.066 Dustcover Storz N-66 (Brass or Aluminum)</p> <p>#91.1431 Storz coupling w. hose barb N-52 to 1 1/2" hose #91.1436 Storz coupling w. hose barb N-66 to 1 1/2" hose</p>		



#92.140 Bollard. Size 14 inch
Size: 14" over all length. Height: 4 1/4"
Base Plate: 11" x 3 1/2"

92.140
Bollard 14" overall

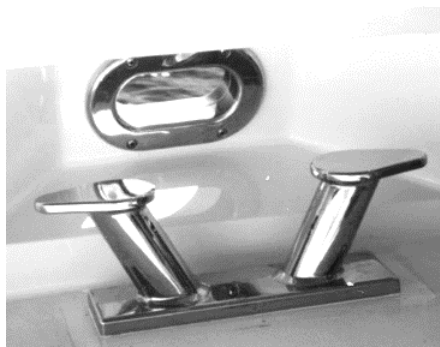
Distances mounting holes: 6 1/4"
for 5/8" inch bolts
Plate: 11 x 3 1/2"
316 stainless steel Bollards
Mirror polished



#92.911 Bollard 18 inch.
Base plate: 13 1/2 inch x 4 inch.
Ears: Raised 5 inch from bottom plate; 17.5 inch wide.

92.911
Bollard 18" overall

distances mounting holes: 5"
with 5/8" inch bolts
316 stainless steel Bollards
Mirror polished





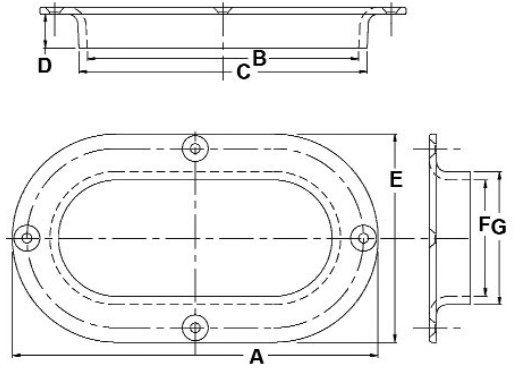
Izerwaren
Order
numbers

316 stainless steel
Hawse pipes
Mirror polished
Sizes in inches & mm

92.HPS8 **Hawse Pipe**
165 X 242 mm
316 s/s mating hawse
pipe, set 6.5 x 9.5 inch

92.HPS7 **Hawse Pipe**
127 x 242 mm
316 s/s mating hawse
pipe, set 5.75 x 9.5 inch

92.HPS6 **Hawse Pipe**
102 x 178 mm
316 s/s mating hawse
pipe, set 4 x 7 inch



#92.HPS8
316 s/s mating hawse pipe, set
Outside: 6.5 x 9.5 inch
Opening: 3 3/4 x 6 7/8 inch

#92.HPS7
316 s/s mating hawse pipe, set
Outside: 5.75 x 9.5 inch
Opening: 3 x 6 7/8 inch

For #92.HPS6
316 s/s mating hawse pipe, set
Outside: 4 x 7 inch
Opening: 1 9/16 x 4 9/16 inch

For #92.HPS8
A= 9.5 inch
E= 6.5 inch
Hawse opening:
: 3 3/4 x 6 7/8 inch
Thickness Mating Sets:
D= FROM 3 1/4 TO 1 5/8 inch

For #92.HPS7
A= 9.5 inch
E= 5.75 inch
Hawse opening:
3 x 6 7/8 inch
Thickness Mating Sets:
D= FROM 3. 1/4 TO 1 5/8 inch

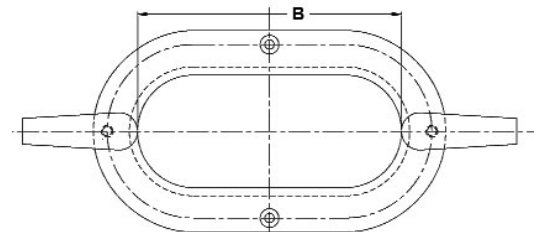
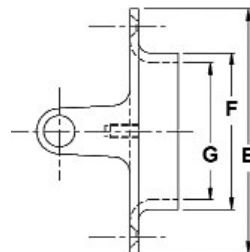
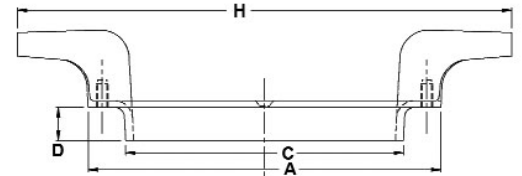
For #92.HPS6
A= 7 inch
E= 4 inch
Hawse opening:
1 9/16 x 4 9/16 inch
Thickness Mating Sets:
D= FROM 2 1/2 TO 1 1/4 inch

92.HPCS3 **Cleat Hawse Pipe**
250 x 132 mm

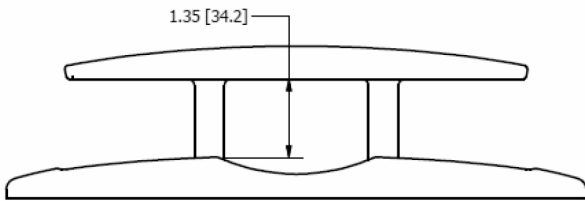
92.HPCS3 Cleat Hawse Pipe



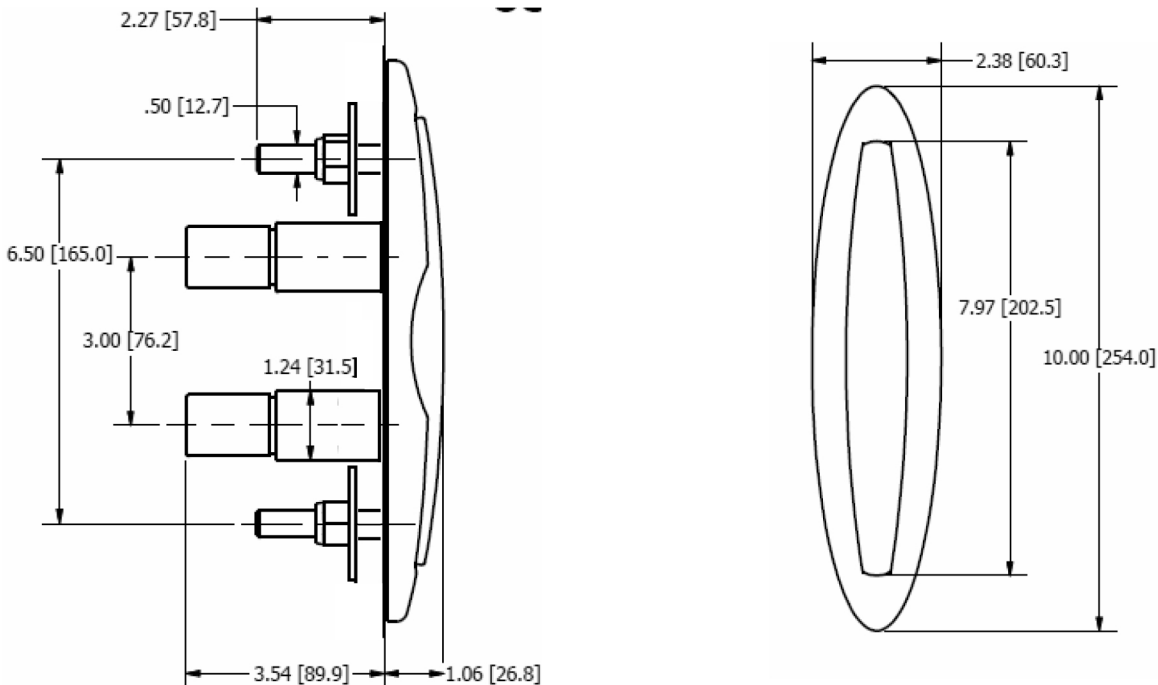
5.25 x 9.25 inch OD.
2.936 x 7.1265 inch ID.
3.115 x 7.5 inch Opening
H= Distance between ears: 14 inch



#92.HPCS3

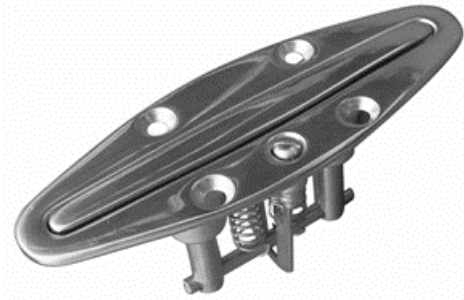
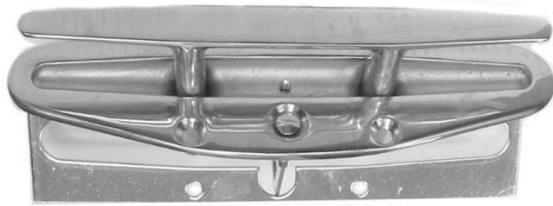


#93.104 Pop up Cleat; 10 inch x 2.38 inch. Surface Mount.



**Drill 4 Holes: 2x 1 1/4 inch diameter at 3 inch distance.
2x 1/2 inch diameter bolts at 6.50 inch distance.**

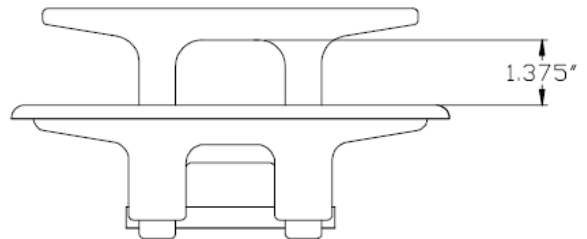
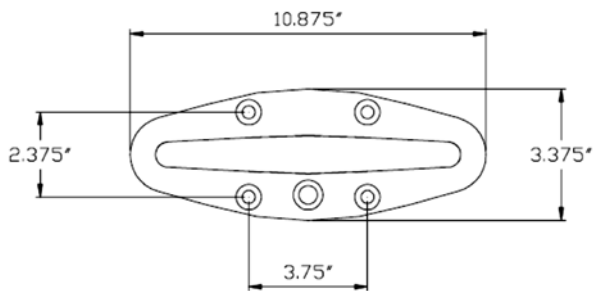
- Finish: Polished Stainless Steel; delron gaskets
- Overall size: 10 inch x 2.38 inch; build in depth: 3.54 inch; Protrudes: 1.06 inch



**# 93.102 Pop Up Cleat 10 inch with Back Mounting Plate
Screw heads Showing; Top mounting**

Size: 10.875 x 3.375 inch. Build in Depth: 4.375 inch.

**# 93.101 Pop Up Cleat 10 inch with Back Mounting Plate
Back Mounting No Screws Showing**



**# 93.103 Pull Up Cleat 15 inch with Back Mounting Plate
Back Mounting No Screws Showing**

Overall Size: 17 x 5.3 inch. Build in depth: 7.1 inch

